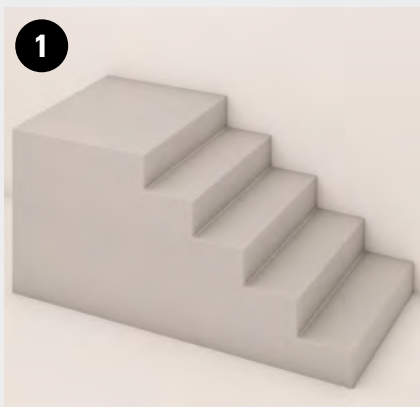
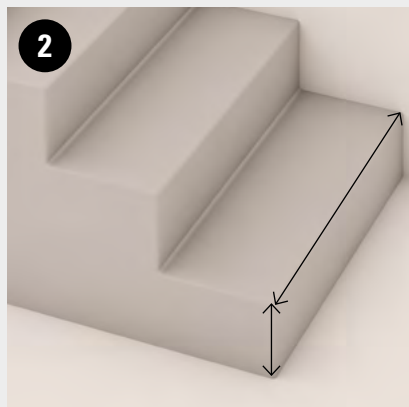


CLAP! STEP

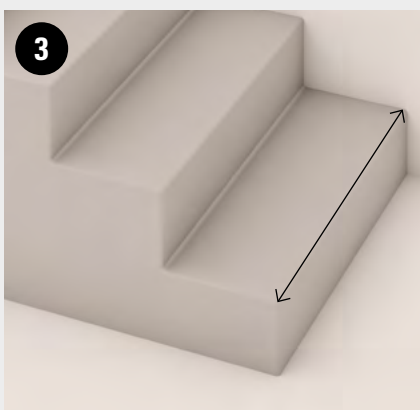
INSTALLATION GUIDELINES



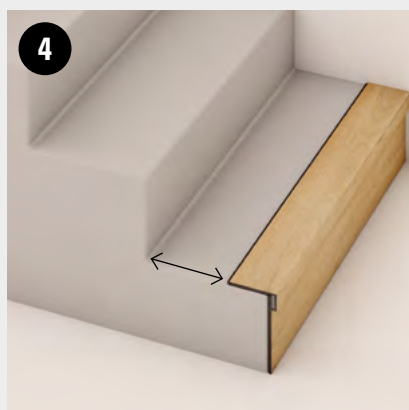
Check the steps to be coated, their surface must be smooth, flat, dry and free of dust.



Measure the height and length of the first rise of the step to be covered. Cut a plank of Clap! to size to cover the rise.



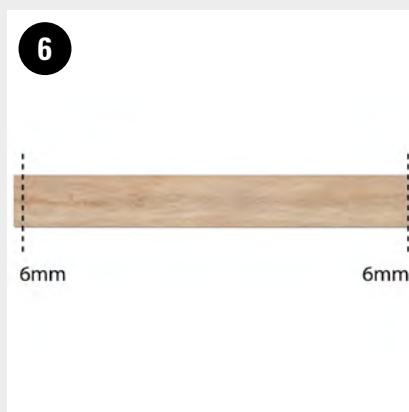
Measure the width of the stairway and cut the Clap!Step profile to length according to the measurement obtained.



Lay the previously trimmed staves to the step and measure the uncovered part of the tread.



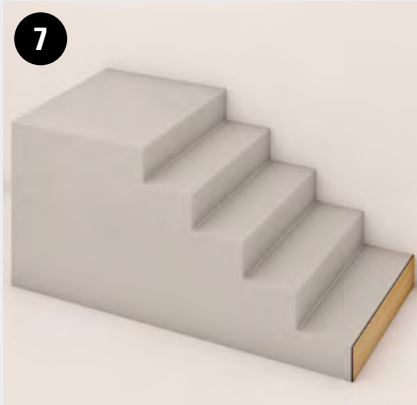
Using a drill fitted with a brush tip with metal teeth, remove the mat from the planks in order to ensure a better hold of the glue.



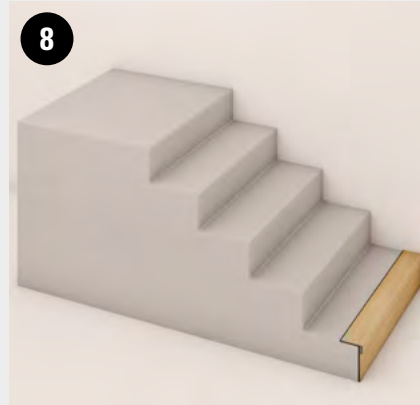
When cutting, always ensure that you leave at least 6mm per side along the length of the staves. For example:
stair width 1m--> stave width 0.988 m

CLAP! STEP

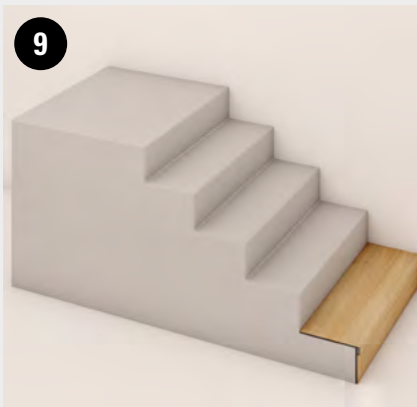
INSTALLATION GUIDELINES



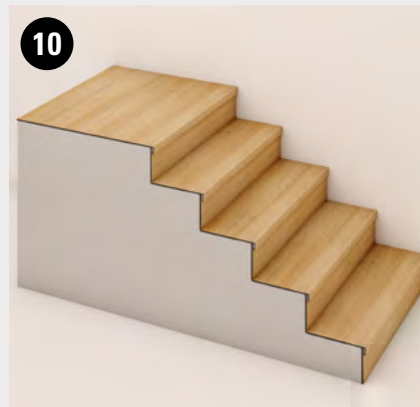
Spread a generous amount of glue on the back of the staves, proceed first with gluing the vertical riser.



Proceed, taking care to always leave 6 mm of air along the edges of the step, then glue the Clap!Step product and complete the step by fitting and gluing the tread trim.



Complete the step by fitting and gluing the tread trim.



Continue with the remaining steps, repeating the operations described above.

Note:

For landings with treads with more than two staves, glue only the Clap!Step profile, the subsequent staves must be laid floating.